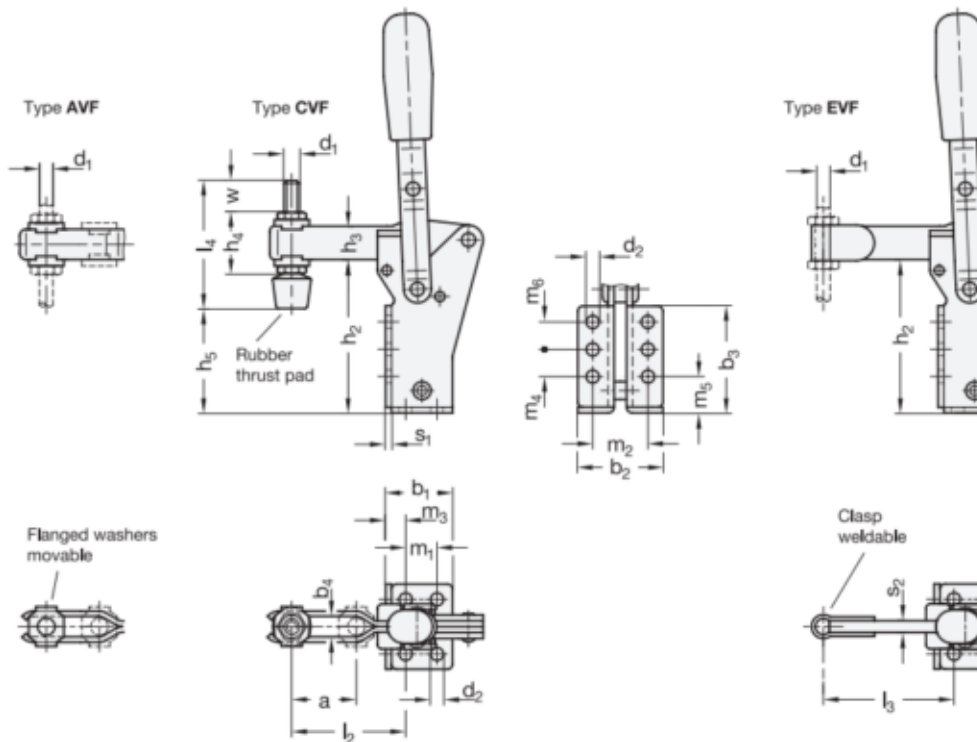


Article number: 208121330EVF
 Description: E+G vertical clamps
 GN 812.1-330-EVF

Measures



b1 = 49	h3 = 22	m3 = 12.3
b2 = 48	h4 = -	m4 = 30
b3 = 79	Holding force in N = 2600	m5 = 19
b4 = -	l1 = 131	r = 123.5
d1 = M10	l2 = -	S1 = 3.5
d2 = 8.5	l3 Max. = 91	S2 = 7
h1 = 259	m1 = 28	Weight in g = 800
h2 = 107	m2 = 30	